

# FOCUS



# ON

# *FAITH*

Volume 41, Number 2  
2012



## **SOUPER BOWL FEBRUARY**

**9:00 am School**  
**10:15 am Worship**

PASTOR: Rev. Dr. Bruce C. Stevenson  
DIRECTOR OF MUSIC/ORGANIST: Dennis J. Duda  
DIRECTOR OF YOUTH DISCIPLESHIP: Linda Lenhart C.M.C.E.

# Faith United Church of Christ

5992 Route 378

Center Valley, PA 18034

610-282-3939

ContactUs@faithchurchucc.org

www.faithchurchucc.org

*We are a people who have come together through a common faith, a common love, and a common covenant with the triune God; Father, Son, and Holy Spirit, and together we endeavor to be a community of worship, education, mission, fellowship, and stewardship.*



Thank you to the newsletter crew for their help in mailing the newsletters this month - *Arlene Beck, LaVerna Diehl, Dennis Frantz, and Evelyn Hovis.*

## 2012 Consistory

**President:** Randy Siegfried  
**Vice President:** Tony DiSanto  
**Secretary:** Mary Ellen Long

### **Elders:**

Randy Siegfried  
Tony DiSanto  
Mary Ellen Long  
Barb Scattergood

### **Deacons:**

Deb McCormick  
Tam Christman  
Brett Dill  
Mike Ford

Wes Koser  
Karen Long  
Olivia Muth  
Andrew Curtis

**Church Treasurer:** Bebe Moyer

## **LIAISONS:**

**Christian Ed:** Brett Dill

**Kitchen Krew:** Karen Long

**Property:** Mike Ford

**Youth:** Olivia Muth

**Staff Relations:** Tony DiSanto

**FUN<sup>o</sup>raising:** Mary Ellen Long

**Enduring/Memorial Gifts:** Randy Siegfried

**Worship:** Deb McCormick

**Budget/Finance:** Wes Koser

**Mission:** Barb Scattergood

**Daycare:** Chris Youngs



## A NOTE FROM THE PASTOR

Dear Friends,

In December while I was bringing Christmas Communion to our Forget Me Nots I also delivered some of the Christmas packages that had been prepared for them by our Mission Committee. While each of them was pleased to receive a package from their church there was a comment that was made by one that resonates in my mind. She had a gentle smile on her face as she looked through her package and then softly said: “It’s good to be remembered.”

That simple comment changed everything for me. Suddenly I realized that I wasn’t so important. It wasn’t the fact that the pastor stopped by that made her afternoon so special. I’m not sure it was even the fact that I brought her communion that made the afternoon so special and it certainly wasn’t the package itself. What made her afternoon so special was that you remembered her. The fact that her faith community hadn’t forgotten her elevated the visit to a higher plain.

Jesus challenged the faith communities of His day not to ignore those who are easily forgotten. He emphasized the widowed, the orphans, those who were imprisoned, sick, and poor. Over 2000 years have passed since Jesus issued that challenge and yet there are still widows and widowers, orphans, prisoners, people who are ill, and plenty of poverty. We like to think there are systems and organizations that will take care of these problems. Families are supposed to take in the orphans and the widowed. We have prisons for the prisoners. We have

hospitals for the sick. We have shelters, food banks, soup kitchens, and organizations like Pathways and Back Bay Mission to take care of every type of poverty imaginable.

All this is may be true. Perhaps we've made a lot of progress but the fact remains there are many in our midst who remain forgotten and feel very much alone and while the challenges of poverty, hunger, homelessness, or unemployment may seem beyond our means to grasp or handle, loneliness isn't. All it takes is a visit, a phone call, a card, or a package. No matter what problems a person faces in life they never seem so insurmountable when they aren't facing them alone. We have to make sure that people know that they are remembered.

I want to invite you to be a part of the Mission Committee's effort to remember people. We're all busy, I know this, so don't worry about joining the committee. But we all have a few minutes every now and then to make a phone call, to send a card, to stop by with some altar flowers, or share some news about what is going on in the life of our Forget Me Nots. All I'm asking you to do is to be one of "Faith's Friendly Faces" and make it a point to share some of those "random works of kindness" that will assure those who dedicated so much of themselves that their faith community still remembers them. If you're interested in being more involved in an outreach to our Forget Me Nots please let me know!

Peace,

A handwritten signature in black ink, appearing to read "Pastor Bruce", with a long horizontal flourish extending to the right.

Pastor Bruce



# Sharing the Good News!

Penn Northeast Conference of the United Church of Christ

---

## **Whose community is it? by Alan C. Miller, Conference Minister**

Often times I run into people who are “church shopping.” Many times these individuals will recruit my assistance by asking me to recommend a congregation. Generally I will ask them if they are currently members of a church, and if so, why are they leaving their church. Frequently they will respond “because my current church is not meeting my needs; I am looking for a community that will meet my spiritual needs.” I do not mean to demean such individuals, because a long time ago I did the same thing; I was part of a congregation in which I felt like I was not being fed so I went looking for another congregation.

However such searches for “a community that will meet my needs” raise an interesting question about the nature of community, and in particular, Christian community. By virtue of Christ’s sacrifice on the cross God has called us into a very unique community. However this community is not “our” community or “my” community; it is God’s community. I was initiated into this community at my baptism and hopefully as I participate in this community I will grow spiritually and experience the presence of God in new and deeper ways. But this community does not exist simply “to meet my needs.” God’s community is a reconciled and reconciling community. We exist because God has called us together to discover God’s love and partner with God in taking the good news of that love to the world. This community comes with demands of commitment and responsibility on my part. As a member of this sacred community I am to become a living example of the presence of Christ as I seek to love my neighbor whether or not I even know

my neighbor or my neighbor is a member of this community. God's community helps us to understand that it is part of our created nature to be communal creatures, and when we are at our best as those created in the image of God, we are looking out for each other.

There is a very old African proverb about our communal natures, in particular about those who would seek to live lives denying any responsibility to their neighbor.

There was a rat running around a farmhouse doing his rat business, when suddenly he heard the excited voice of the farmer talking to his wife. The farmer has just received a package that he had ordered --- a new rat trap. The rat runs into the barn to seek some help and support from the other animals. He tells them that the farmer has bought a rat trap and that now his life is in danger. He asks them: "What shall I do?" The chicken says: "A rat trap ... I am a chicken ... I am not a rat ... this is of no concern to me." The goat says: "Oh how terrible for you, mister rat ... I will pray for you." The cow says: "Oh suck it up ... we all have problems so deal with it." In the middle of that very night everyone is awakened by a loud scream coming from the farmhouse. The farmer's wife had heard the rat trap door slam shut and when she went to check the trap she found a snake in the trap ... and the snake bit her. The farmer immediately called the village doctor. The doctor said that due to the type of snake that bit her, there was nothing he could do. But he did recommend that the farmer try an ancient remedy of *chicken soup*. So the farmer went to the barn *to get the makings for chicken soup*. Alas the soup did not work and the farmer's wife died. Everyone from the village came to the funeral to console the farmer. The farmer was so grateful that he invited everyone back to the farm for a feast of *his famous roasted goat*. So many people came, that when the roasted goat ran out, the farmer made for them his other famous dish ... *beef stew*.

A long time ago a lawyer asked Jesus the question: "And who is my neighbor?" (Luke 10:29) Jesus answered by telling the story of the Good Samaritan.

Perhaps in our search for a community that "meets my needs," we should begin with a prior question: "Who is my neighbor?"

# THE SIDE OF JESUS WE NEVER KNEW

## A Lenten Study

He was accused of nearly everything – breaking the law, keeping bad company, heavy drinking, and being the devil himself. He was so compelling and dangerous they had to kill Him.

But those who knew Him best loved him passionately. He had a sense of humor. His generosity was scandalous. His anger made enemies tremble. He would say the most outrageous things. And this Jesus has not changed one bit; He is still Himself, available to all who would know Him.

Our Lenten Study this year will focus on the personality of Christ and will be guided by the book *Beautiful Outlaw: Experiencing the Playful, Disruptive, Extravagant Personality of Jesus*. Reading the Gospels without knowing the personality of Jesus is like watching television with the sound turned off. The effect is a dry, two-dimensional person saying strange, undecipherable things. But when we discover His true character – the man who made the wind, music, and flying squirrels – suddenly all of the remarkable qualities of Jesus burst forth with color and brilliance like fireworks!

**Please join us every Wednesday night from February 29<sup>th</sup> through April 4<sup>th</sup> as we explore and discover the personality of Jesus. We will begin with our traditional covered dish dinner at 6:00, our study will begin at 7:00 and end by 7:30.**

February 29<sup>th</sup> – *The Missing Essential, His Personality*

March 7<sup>th</sup> – *The Playfulness of Jesus*

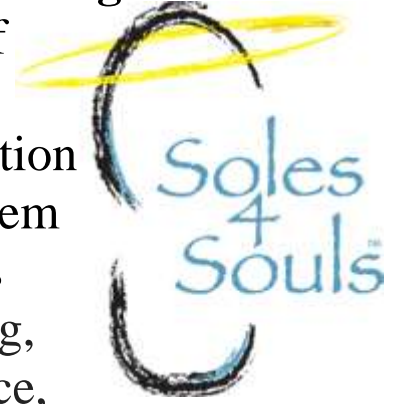
March 14<sup>th</sup> – *His Fierce Intention*

March 21<sup>st</sup> – *His Extravagant Generosity*

March 28<sup>th</sup> – *His Disruptive Honesty*

April 4<sup>th</sup> – *A Scandalous Freedom*

My name is Logan Koch and I am currently in the 9<sup>th</sup> grade confirmation class here at Faith U.C.C. For part of my confirmation project, I am collecting used shoes for an organization called Soles4Souls. The organization distributes the collected shoes to people who need them in the United States and other countries. Soles4Souls accepts the following types of shoes: athletic, running, dress, sandals, pumps, heels, work boots, cleats, dance, flip flops, just as long as they are new or gently worn. I will have a collection box in the office lobby throughout the month of February. Thank you for your support. If you have any questions please contact me at [kochx3@epix.net](mailto:kochx3@epix.net) or 610-282-4433.



## The "Souper Bowl of Caring" Event

It sure has been cold these past few days! Wouldn't a bowl of nice hot soup hit the spot to warm you up? Unfortunately, there are families here in the Southern Lehigh area that may not have any soup. Won't you share a can of hearty soup or stew with one of the many families at **Betty Lou's Pantry**? Let's try to provide a **hearty soup** or **stew** for **all 100 families** this month or donate \$1 toward the purchase of soup. Drop off baskets will be in the Narthex.

Let's also remember our **Freezer Ministry** and help to re-stock the freezer with some hearty, nourishing soups for our own Faith Church members. As you prepare soup for your family over the winter please set aside 1 or 2 quarts to be placed in the freezer for special delivery to those in need.

**You are Invited!**

## "Souper Bowl of Caring" Luncheon

**Sunday, February 19, 2012 after Worship**

### MENU

*Tomato Parmesan Soup • Grilled Cheese Sandwiches • Assorted Desserts*

Free-Will Offering will be taken to benefit **Faith's Helping Hands Fund**.

# SOUP SALE

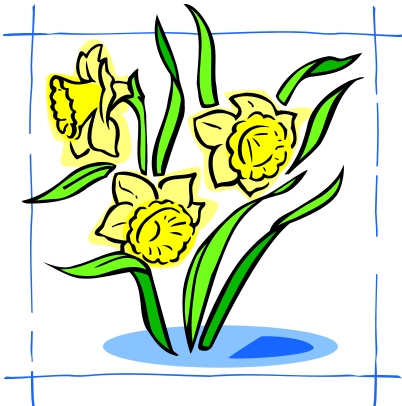
The Mission Team will be making and selling our very own

## **Crab Bisque Soup for \$7 a quart**

Please see Marian Barrick, Diane Neidermeier, or Karen Talboo if you missed placing an order in January. *All orders must be made by Sunday, February 12.* Soup will be distributed on Sunday, February 19 during the luncheon. **To place a phone order call Karen Talboo at 610-282-1552.**

## DAFFODIL SUNDAY

**March 25, 2012**



During the month of February the Mission Team will be taking orders for Daffodils to help support the annual American Cancer Society Fundraiser. Your daffodil order and special message can be completed by using the insert that will be in the Sunday bulletin this month. Please place in the collection plate along with your payment. All orders are due by Feb 19.

## SAVE THE DATE

Spring basket bingo is Sunday, April 29.

Tickets go on sale Sunday, March 4.

Questions? Contact Karen Talboo at 610-282-1552 or email: talboo6472@epix.net

~~oops!~~

From a newsletter in Portland, Oregon:

~~Children's church attendance was 24.~~

~~The children made a wooden plaque.~~

~~Join us again next Sunday at 9~~

Let's hope that *plaque* wasn't contagious.

# FUND Raising.....

Come to a  
**County Fair, Church Dinner, Silent Talent Auction!**  
**Saturday, February 25<sup>th</sup>, 4:00 – 7:00 pm**

- Come one, come all! Let your family
- enjoy one of Faith's wonderful chicken dinners, bid against your friends at the
- silent talent auction or "buy it now", and buy at the "Cash and Carry" table.
- Items up for bid include delectable home-made foods, entire meals delivered to your door, household services like HVAC maintenance, gardening, sports certificates, travel bargains, computer technical assistance, specialty services, hand crafted items and more all donated by church members.
- There is still time to donate your special talent! See the enclosed form and return ASAP to Wes Koser, Mary Ellen Long, or Louise Christman; or call 610-509-3616; e-mail: [terryfail4u@yahoo.com](mailto:terryfail4u@yahoo.com).



- Don't miss out on the fun and food!! Come casual, it's a jeans event!!
- Dinner: Adults \$8.00, Children 6-10 \$4.00, Under 5 free
- Menu: Chicken with gravy, baked potato, corn, dinner roll, tossed salad, Cranberry sauce, apple sauce, coffee-tea-juice

## Talent/Service Auction Offering

Faith United Church of Christ

February 25, 2012

Name(s): \_\_\_\_\_

Contact Info (Phone or E-mail): \_\_\_\_\_

Business Name (If applicable): \_\_\_\_\_

Describe a talent, service, or homemade item that you would offer up for auction:

\_\_\_\_\_  
\_\_\_\_\_

Value (per hour, if applicable): \_\_\_\_\_

Number of Hours: \_\_\_\_\_

Minimum Bid (Optional): \_\_\_\_\_

Approximate Face Value: \_\_\_\_\_

Expiration Date: \_\_\_\_\_

I can provide photo/sample for display: \_\_\_\_\_

Due by **2-5-2012**. Place in basket in Narthex or at Church office.  
Contact Wes Koser, Mary Ellen Long, or Louise Christman on  
Sunday for more details or contact Mary Ellen @ 610-509-3616.

See the next page for some of the limitless possibilities... Use your imagination and talents!

# Just SOME of the limitless possibilities...

- Auto Body Detailing
- Babysit
- Bake cookie recipe of your choice
- Bake A Pie A Month for #? months
- Balance your check book
- Be my dieting partner
- Caning of one chair
- Caricature drawing
- Child's birthday party helper
- Child's birthday party organizer
- Clean House
- Clean out garage or attic
- Clean Refrigerator
- Computer help – hardware
- Computer help – software
- Computer purchasing advice
- Cook favorite Soup
- Cook Specialty Item
- DJ Service
- Do Grocery Shopping
- Donate a Gift Card
- Driver to & from airport
- Financial Advice
- Furniture refinishing
- Genealogy Research
- Gift Buying Advice / assistance
- Gift Wrapping
- Hair Cut
- Hair styling
- Hang Pictures
- H-Vac Servicing
- Instrumental Music for your event
- Interior Decorating Advice
- Jellies, homemade
- Karaoke for party
- Knit a scarf or hat
- Launder Curtains, Rehang
- Lawn care
- Mend clothing
- Mr. Fix-It
- Nurse wound care
- Paint one room of your home
- Pet Sitting Service
- Phone Service Advice
- Piano Music for your event
- Plumbing help
- Proof read document
- Provide dinner; cuisine? Feed #?
- Quilting project
- Real Estate Advice
- Secretarial Service
- Spring lawn clean up
- Teach my hobby of \_\_\_\_\_
- Snuggling Baby / Mom gets break
- Target Shooting Outing
- Teach card game/ Board games
- Teach chess, canasta, bridge, etc.
- Teach craft of \_\_\_\_\_
- Trim Shrubs, fruit trees
- Tune Up your car
- Vocal Music for your event
- Wallpaper room of your home
- Wash & wax vehicle
- Wash Windows
- Weekend at our Pocono Cabin
- Weekend at a Bed and Breakfast

**Use your imagination and talents!**

# Meet our YOUTH of the Month!

**My name is Reese Bittenmaster** and I am a newer member of the Faith United Church of Christ. I was confirmed in June of 2011. For my confirmation project, I completed an award called the God and Life Award which is a special Boy Scout award. I am glad I made this my confirmation project because it allowed me to make a comparison of the lives of the people in the Bible with my own life.



I am grateful to be a member of this church because I felt very welcomed as a new member. I was able to get to know the other members when I helped with projects such as The Italian Dinner as a waiter and as a greeter before church. I was glad I could help out when I was asked to be a lay reader. I am always glad to contribute to the Operation Christmas Child and donations of items to the Children of Appalachia.

As a 10th grade student at Southern Lehigh High School, I try to challenge myself with classes such as Honors English. I am taking Spanish as my World Language. I belong to the Channel 2 Spartan News Team, where I mostly work the camera or operate the teleprompter. I belong to the Northern Valley Soccer League in the spring and fall seasons. I usually play defense and sometimes goal keeper.

I am a Boy Scout for Troop 191 in Center Valley. I am a member of the Order of the Arrow (the honors society of the Boy Scouts) and I completed National Youth Leadership Training. I have held position as Patrol Leader twice, which is one year collectively. I am currently working towards my Eagle Scout. I have been able to give back to the community in many ways such as Scouting for Food, Bethlehem Salvation Army breakfast with Santa, Celtic Festival clean up, highway clean up, Christmas Tree sales, popcorn sales, etc. Scouting has also allowed me to physically keep active and have fun by camping, ski trips, hiking, kayaking, indoor rock climbing and many other activities.



From the  
**A.R.A.G.A.R.s**

*Submitted by*  
*LINDA LENHART*

Join us for our next youth  
meeting at

**Good Earth Grains & Creamery**

Ice Cream Parlor, 23 S. Main Street, Coopersburg, PA  
Sunday, February 26, 2012 (after worship)

**Come to the party...You're invited!**

- |             |   |
|-------------|---|
| February 26 | Youth meeting/<br>Good Earth Ice Cream Parlor |
| March 2-3   | Hunger Fast Faith Hazleton                    |
| March 18    | Youth Meeting                                 |
| April 13-15 | PNEC Annual Meeting Split<br>Rock Lodge       |
| June 27     | Iron Pigs Game                                |

**SAVE THE DATE!!**



Answers: "Bear with each other and forgive one another if any of you has a grievance against someone. Forgive as the Lord forgave you." Colossians 3:13, NIV

## FEBRUARY BIBLE READINGS

### **February 1**

Gen. 22:1–18;  
Heb. 11:23–31;  
John 6:52–59

### **February 2**

Gen. 23:1–20;  
Heb. 11:32—  
12:2;  
John 6:60–71

### **February 3**

Gen. 24:1–27;  
Heb. 12:3–11;  
John 7:1–13

### **February 4**

Gen. 24:28–38,  
49–51; Heb.  
12:12–29;  
John 7:14–36

### **February 5**

Gen. 24:50–67; 2  
Tim. 2:14–21;  
Mark 10:13–22

### **February 6**

Gen. 25:19–34;  
Heb. 13:1–16;  
John 7:37–52

### **February 7**

Gen. 26:1–6,  
12–33;  
Heb. 13:17–25;  
John 7:53—8:11

### **February 8**

Gen. 27:1–29;  
Rom. 12:1–8;  
John 8:12–20

### **February 9**

Gen. 27:30–45;  
Rom. 12:9–21;  
John 8:21–32

### **February 10**

Gen. 27:46—  
28:4, 10–22;  
Rom. 13:1–14;  
John 8:33–47

### **February 11**

Gen. 29:1–20;  
Rom. 14:1–23;  
John 8:47–59

### **February 12**

Gen. 29:20–35;  
1 Tim. 3:14—  
4:10;  
Mark 10:23–31

### **February 13**

Gen. 30:1–24;  
1 John 1:1–10;  
John 9:1–17

### **February 14**

Gen. 31:1–24;  
1 John 2:1–11;  
John 9:18–41

### **February 15**

Gen. 31:25–50;  
1 John 2:12–17;  
John 10:1–18

### **February 16**

Gen. 32:3–21;  
1 John 2:18–29;  
John 10:19–30

### **February 17**

Gen. 32:22—  
33:17;  
1 John 3:1–10;  
John 10:31–42

### **February 18**

Gen. 35:1–20;  
1 John 3:11–18;  
John 11:1–16

### **February 19**

Mal. 4:1–6; 2 Cor.  
3:7–18; Luke  
9:18–27

### **February 20**

Prov. 27:1–6, 10–  
12;  
Phil. 2:1–13;  
John 18:15–18,  
25–27

### **February 21**

Prov. 30:1–4, 24–  
33; Phil. 3:1–11;  
John 18:28–38

### **February 22**

Amos 5:6–15;  
Heb. 12:1–14;  
Luke 18:9–14

### **February 23**

Hab. 3:1–18;  
Phil. 3:12–21;  
John 17:1–8

### **February 24**

Ezek. 18:1–4, 25  
–32;  
Phil. 4:1–9;  
John 17:9–19

### **February 25**

Ezek. 39:21–29;  
Phil. 4:10–20;  
John 17:20–26

### **February 26**

Dan. 9:3–10;  
Heb. 2:10–18;  
John 12:44–50

### **February 27**

Gen. 37:1–11;  
1 Cor. 1:1–19;  
Mark 1:1–13

### **February 28**

Gen. 37:12–24;  
1 Cor. 1:20–31;  
Mark 1:14–28

### **February 29**

Gen. 37:25–36;  
1 Cor. 2:1–13;  
Mark 1:29–45

# THOSE WHO WILL SERVE IN FEBRUARY

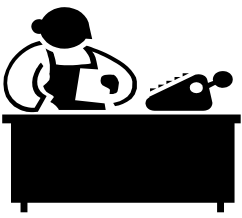
**Head Usher: Karen Long**

**Financial Secretary: Bob Shelly**

**Contact Person: Jane Van Horn**

**Fellowship Hall Contact: Howard Barrick**

	Greeter	Ushers	Acolyte	Lay Reader	Nursery	Flowers
<b>2/5</b>	Shirley George	Bruce & Michele Keeler Henry & Sue Roberts	tbd	Cindy Talaber	Tbd	Fosbenner
<b>2/12</b>	Sherry Meluskey	Scott Christman George Rau Don Lewis Mike Ford	Autumn Kandt	Marv Neely	Sandy Sosnowsky	Duda
<b>2/19</b>	Dennis & Caroline Frantz	To be determined	Drew Curtis	Donna Schoenberger	Lisa Allison	Neidermeier
<b>Ash Wed 2/22</b>	Evelyn Hovis	Tom & Brenda Hovis, George Rau, Sue Walter	tbd		n/a	n/a
<b>2/26 C o m m u n i o n</b>	Doug & Dee Hutchinson	George Rau, Donna Schoenberger, Chuck & Karen Talboo, Mary & Randy Siegfried, Sue & Henry Roberts	Ben Muth	Doug Hutchinson	Sara Hovis	available



# From the Treasurer...

## DECEMBER 2011 Finance Report

	Attendance	Weekly Offering
12/4	193	\$3549
12/11	117	\$2922
12/18	160	\$4015
12/24 5 pm	208	\$4014
12/24 7 pm	112	\$1272
12/25	24	\$1155
<b>Total</b>	<b>551</b>	<b>16927</b>

### Monthly totals:

Receipts	\$ 25,962
Disbursements	\$ <u>15,592</u>
	\$ 10,370

### Year to date:

\$ 224,067
\$ <u>223,156</u>
\$ <b>911</b>

### Year End Fundraising total: \$10,961

Basket Bingo	\$ 3,256	Breakfast	\$ 350
Candy making	\$ 1,545	Flowers	\$ 477
Trip Parking	\$ 450	Skunks	\$ 1,460
Auction	\$ 2,049	PhoneRaiser	\$ 92
Paper Recycling	\$ 66	Yard Sale	\$ 1,216

Thank you to all who came through during our financial struggles. With your help and fundraising we were able to pay back the monies loaned from our savings account and end the year in the black.





**From the Secretary:**

The **deadline** for **February Newsletter** articles and information is **February 15th**. Please email to **Office@faithchurchucc.org** or place them in the Secretary's mailbox in the conference room.

**From the Worship Committee:**

**2012 Altar Flowers**—The following dates are available for sponsoring flowers—2/26, 3/4, 4/1, 4/29, 5/13, 6/24, 7/1, 7/8, 7/15, 8/12, 8/19, 8/26, 9/2, 10/14, 10/21, 10/28, 11/4, 11/11, 12/30. The cost remains at \$30.



Thank you for your continuing support of Betty Lou's Pantry. For the last two Sundays of December and the first three Sundays of January, our donations included 193 items and \$90.

We need your help! Due to more churches joining Betty Lou's Pantry, the 2012 Volunteer schedule has changed. Faith's month is February. Help is needed on Saturday, February 11 and Saturday, February 25 starting at 9:30 am. If you will be able to help on either of these days, please let me know.

Many thanks for your generosity and your continuing support of Betty Lou's Pantry especially during these difficult times! Currently, 97 families are being assisted. All of the recipients are very grateful for your generosity.

*Items currently needed most at the Food Bank include:*

**Chili, Canned Pasta, Spaghetti Sauce, Boxed Potatoes, Toilet Paper, Hamburger/Tuna/Chicken Helper**

Items stocked at the Food Bank include:

- |                      |                          |                         |
|----------------------|--------------------------|-------------------------|
| Pork and Beans       | Jelly (10 to 12 oz size) | Cereal                  |
| Canned Fish and Meat | Spaghetti Sauce          | Beans                   |
| Bathroom Tissue      | Paper towels             | Macaroni and Cheese     |
| Canned Fruit         | Canned Vegetables        | Canned Tomatoes         |
| Rice or Noodle Roni  | Beef Stew                | Dry Pasta and Spaghetti |
| Chili                | Tomato Sauce             | Canned Pasta            |

Monetary Donations are a particularly effective way to help the Pantry. A donation of \$10 will buy over 60 lbs of food! If you are in need or know of someone in the area who is, please call 610-282-2838 and leave a message. Alternately, email may be sent to [bettylouspantry18036@gmail.com](mailto:bettylouspantry18036@gmail.com)

—Mike Ford



# MAIL'S IN!

Dear Friends,

A stocking stuffed with cheery holiday cards, a few new Santa's for my collection, some tasty treats, a few dollars that I will put in my "new computer fund." (Some of you have heard the horrible grinding sound that my current lap top makes!), a Phillies t-shirt, a few gift cards to local restaurants, and enough Starbucks cards to supply me for months! What more could I ask for?

What fun it was to empty the stocking on Christmas morning and find all of your kind and generous gifts! It truly was a wonderful gift. It added a lot to my Christmas joy and spoke loudly of your creativity and appreciation of the relationship we share as your pastor. My heart felt thanks to each and every one of you.

Blessings,  
Pastor Bruce

Dear Faith Friends,

Thank you so much to all of you who helped to fill my giant Christmas Stocking with wonderful treats! The cards, candy, gift cards, kitchen angel, and more were greatly appreciated and enjoyed. Hope your holidays were wonderful and your New Year even better!

Thanks again,  
Sandy

Dear Members of Faith Church,

Many thanks for the beautiful Christmas Stocking with all those very nice gifts. It was so nice of you to remember me in this way. Have a great new year.

Your Church Sexton,  
Dorothy

Dear Consistory and Faith congregation,

Thank you for your thoughtfulness with the many gifts in my stocking. I remain blessed to be part of our church Faith family. May God bless you in 2012!

Peace and Love,  
Linda



*Dear Church Members,*

*Hope you know how much your special thoughtfulness is appreciated. Thank you so Much for the gift bag!*

*Sincerely,  
Miriam Beck*

*Dear Karen,*

*Please pass along to your church how wonderful their gift of the hat's, scarf's afghans and everything was.*

*You all out did yourselves. The afghans, & shawl's went to some senior ladies I work to get things for. These ladies live on very limited social security and they live in a bad neighborhood in inner city Knoxville, (drugs, shootings etc) it was once a nice middle class neighborhood but not any longer.*

*You sent enough items that all the kids at Del Rio will receive some and there was still some that I could send to the kids at Wesley House, and there was a couple of crochet blankets that were ideal for babies so I sent them to the women's center I work with in Georgia for babies.*

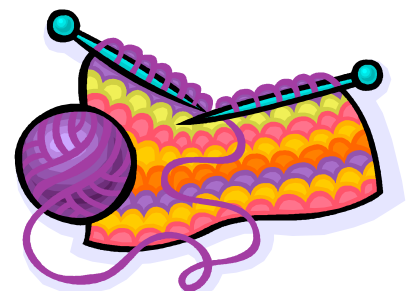
*You gifted so many with your generous hearts and loving hands the items are all very much appreciated and very needed.*

*I can't say Thank You enough.*

*Merry Christmas and a very Happy New Year.*

*Therica Breazeale  
Coalition for Appalachian Ministry  
Townsend, TN*

***\*\*\*LINUS PLUS WILL RESUME ON TUESDAY, FEBRUARY 7TH! Join the group each Tuesday from 6:30 to 8:00 in the memorial room!***



# Within Our Church Family



**Long time Faith member Kathryn Wimmer** passed away on January 3, 2012 at the age of 99. She is survived by her daughter and son-in-law, Evelyn & Kenneth Trumbauer, 2 grandchildren and 3 great grandchildren.

**Patience Stevenson's mother, Theadora Dean,** passed away on January 14th in Mesa, Arizona.

**Frank Bleam, husband of former Faith secretary Marilyn Bleam,** passed away on January 19th after a long battle with cancer. Cards may be sent to:

Mrs. Marilyn Bleam  
6531 SE Federal Highway S 202  
Stuart, FL 34997

**We received new members to our Faith Family on  
Sunday, January 22, 2012!**

Please welcome

**Tracy (Talaber) Adams**

**Diane Frank**

**Diane (Talaber) Kepner**

**Scott Weidner**



## *CANCELLATION INFORMATION*

*IF WE FIND IT NECESSARY TO CANCEL SERVICES  
BECAUSE OF BAD WEATHER, YOU WILL RECEIVE A CALL WITH  
A RECORDED MESSAGE. PLEASE EMAIL OR CALL THE CHURCH  
OFFICE WITH THE PHONE NUMBER YOU WOULD LIKE US TO  
USE. YOU MAY HAVE MORE THAN ONE PHONE NUMBER CALLED.*

# FEBRUARY BIRTHDAYS

01 Jamie Giamalis

02 Jared Lenner

04 Griffin Koch

05 Brett Dill

06 Robert Campbell

07 Sonja Marks

07 Susan Richmond

07 Caroline Wieand

07 Jason Kennedy

07 Benjamin Keeler

10 Ethan Stevenson

13 Grace Koch

14 Jade Stoffey

15 Miriam Beck

15 Joseph Smith

15 Molly Grammer

16 Marjorie Kennedy

17 Mark Christman

17 Jessica Castetter

17 Richard Shelly

18 Richard Davis

18 Steven Fosbenner

18 Eric Hite

19 Sandra Sosnowsky

19 Jon Marie Miller

22 Nancy Gollie

22 Dana Kernick

22 Monica Gunkle

23 Brenda Hovis

24 Marian Barrick

25 Elda Benner

25 Mark Wimmer

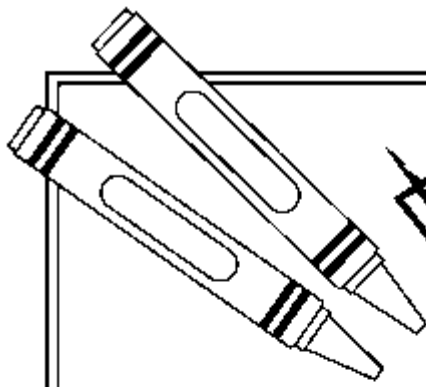
25 Kristopher Hovis

25 Teagan Shook

28 Donald Jr Koch

29 Andrew Curtis





# PUZZLE

## FOLLOW GOD'S EXAMPLE

In a letter to the church in Colossae, the apostle Paul wrote about the importance of forgiveness.

### •••• DIRECTIONS ••••

To complete Colossians 3:13 (NIV), use the smaller words to fill in the larger words.



gain	as	or	ear	van	an	for	give	
gave	her	on	it	one	other	he	an	a

B \_ \_ \_ \_ w \_ \_ \_ h each

ot \_ \_ \_ \_ \_ d \_ \_ \_ \_ give

\_ \_ \_ e an \_ \_ \_ \_ \_ if \_ \_ \_ y

of you h \_ \_ \_ \_ grie \_ \_ \_ \_ ce

a \_ \_ \_ \_ \_ st some \_ \_ \_ \_ \_ .

For \_ \_ \_ \_ \_ as t \_ \_ \_ L \_ \_ \_ d

for \_ \_ \_ \_ \_ you.”

COLOSSIANS 3:13, NIV

A  
N  
S  
W  
E  
R  
S  
  
O  
N  
  
P  
A  
G  
E  
  
14

FAITH UNITED CHURCH OF CHRIST  
5992 ROUTE 378  
CENTER VALLEY, PA 18034

*Address Service Requested*

PRSR STD  
US POSTAGE  
PAID

Permit No. 22  
Non-Profit  
Emmaus, PA