

FOCUS



ON

FAITH

Volume 46, Number 10
2017



Sunday School—9:00 am
Worship—10:15 am

PASTOR: Rev. Dr. Bruce C. Stevenson
DIRECTOR OF MUSIC/ORGANIST: Dennis J. Duda

Faith United Church of Christ

5992 Route 378

Center Valley, PA 18034

610-282-3939

Office@faithchurchucc.org

www.faithchurchucc.org



Thank you to the newsletter crew for their help in mailing the newsletters each month -

Arlene Beck, Ruth Cressman, LaVerna Diehl, Joan Hassler, Evelyn Hovis, and Sue Walter

2017-18 Consistory

President: Wes Koser

Vice President: Deb Orach

Secretary: Michele Keeler

Elders:

Mim Allison

Deb Orach

Wes Koser

Jane Van Horn

Deacons:

Michele Keeler

Qiyi Zhu Stoffey

John Barone

Kevin Long

Colleen Kandt

Barb Scattergood

Tom Berghold

Mary Ellen Long

Church Treasurer: Joe Orach

Liaisons:

Christian Ed— John Barone

Fellowship/Outreach—John Barone

Property—Wes Koser

Worship—Mim Allison

Mission—Barb Scattergood

Day Care—Colleen Kandt

Kitchen Krew—Jane Van Horn

Enduring/Memorial—Mary Ellen Long

Staff Relations—Qiyi Zhu Stoffey

Budget & Finance—Deb Orach

Youth Group—Kevin Long

Fundraising—Michele Keeler

*We are a people
who have come together
through a common faith,
a common love,
and a common covenant
with the triune God;
Father, Son, and Holy Spirit,
and together we endeavor
to be a community of
worship,
education,
mission,
fellowship,
and stewardship.*



A NOTE FROM THE PASTOR

Dear Friends,

When Ethan was young he was eager to join many clubs, groups, and activities one of which was Cub Scouts. Leaders were needed so I volunteered. I was a parent. I had worked with youth groups, led many youth retreats and work camps, surely this would be a snap. But they assigned me to 15 of the most hyper-boys I had ever encountered! I am certain that each of them had been fed a bowl of sugar before each Den Meeting! We met in a gymnasium and the boys bounced off the walls with remarkable force! I wanted them to calm down and work on the project I had planned for the evening. They clearly had other ideas! I had to come up with a plan that would re-direct all of their energy. There were some rules that I needed to set!

When Moses led the Israelites into the Promised Land he faced a similar situation. The Israelites had lived in a foreign land suffering injustice and oppression for generations. They begged God for freedom and a land of their own. God was about to grant their wish but before this was to happen some rules had to be set. I didn't come up with "Ten Commandments for Cub Scouts" but God established Ten Commandments, simple rules, to establish, protect, guide, and govern community together. Community with God, community with each other.

The first four Commandments were established to maintain our community with God. The next six were established to maintain our community with each other. Let's briefly take a look at them.

1. You shall have no God's but me
 2. You shall not make idols
-

3. You shall not misuse the name of the Lord your God
4. Remember the Sabbath Day, to keep it Holy

How do these first four commandments establish fellowship and community with God? Rather simply actually.

1. The first establishes who God is, who we are in relationship with God, and the absolute supremacy of our relationship with God.
2. Idol is anything that distracts us from God. In God we find our primary relationship in life and living. We are to make sure that we don't allow other things to distract from this relationship. God is first. Everything else in life is secondary. Idols are anything that distracts us from this reality.
3. If you want a relationship with anyone then you treat them with respect. God deserves our respect. Let's not disrespect him by using His name as a form of profanity.
4. God's creative work has a pattern to it. Work for six days, rest for one. God calls us into His creative work. This commandment is an invitation to partner with Him in His creative work.

The next six commandments were established to govern our community with each other:

5. Honor your mother and father
6. Do not kill
7. Do not commit adultery
8. Do not steal
9. Do not bear false witness
10. Do not covet

The reformer Martin Luther suggested that it might be helpful for us to take this list of "Do Nots" and twist them around. Take these commandments NOT to do something that is harmful as an

encouragement to do something positive. It could go something like this:

6. Do not kill = Honor and protect all life
7. Do not commit adultery = Honor and promote fidelity
8. Do not steal = Respect boundaries
9. Do not bear false witness = Promote peace amongst yourselves
10. Do not covet = Be satisfied with the way God has blessed you

When you look at these last five commandments we see how even if we aren't going to kill, commit adultery, steal, lie about someone, or covet, these rules can still guide us. Living in community has as much to do with the actions we refrain from doing as it does with the actions we perform.

Perhaps you've noticed by now that I have left out the Fifth Commandment; *Honor Your Mother and Father*. That was intentional. While it is a part of the commandments that govern and guide us in our community together it really isn't a part of that list of "Do Nots." I was fortunate enough to have wonderful parents. Not everyone is that fortunate. Regardless of whatever experience you have had in life with respect to the role of parents perhaps a good way to look at this commandment is to give thanks for the life that has been given to you.

If this article seems vaguely familiar to you then you get two points for paying attention in church on October 8th. This article is a synopsis of my sermon that day which someone told me as I greeted her after worship was so good that I should publish it! Ask, and ye shall receive.

Peace,

A handwritten signature in black ink that reads "Pastor Emma". The signature is written in a cursive, flowing style with a long horizontal flourish at the end.



Children & Communion

Once again we are again offering the Children and Communion Program to children in grades 2 and above.

Recognizing that appropriate training and education is vital to the grasping an understanding of the sacrament, a course of instruction will be offered on the following dates; **November 5th, 12th, and 19th**. Each class will begin at 6:00 p.m. and will be one hour.

The following are required:

- Children must be in the second grade or older to participate in the preparation program.
- At least one parent, preferably both, must participate with their child.
- Children must attend all 3 preparations sessions.

Whether a child participates or not is a parental decision, not a church policy, and the preparation program is not to be confused with the Rite of Confirmation.

Please complete a registration form available in the Narthex or from your child's Sunday school teacher and return it to Pastor Stevenson following worship before November 5th or call the church office (610-282-3939) with the information and bring this form along to the first class.

IMPORTANT TO NOTE:

If you or a loved one are hospitalized, please contact Pastor Bruce or the church office. Please do not assume that the hospital will call, they do not. Pastor Bruce can be reached at 610.866.7425.

Congregational Meeting



Sunday

November 19, 2017

Join us for our Congregational Meeting to pass a budget for 2017 and to elect 2 members to our Memorial and Enduring Gifts Committee for a 3-year term. Please come with your questions, comments and suggestions.

We need a quorum of 10% of the members in order to hold a vote, so please mark your calendar now to attend.

FALL BAG & BASKET BINGO

Sunday, November 5, 2017



How Can You Help with Fall Bingo?

We are always in need of baked goods that can be dropped off at church the morning of November 5th.

For those of you attending don't forget to bring along your donations for Betty Lou's Pantry!

SPECIAL COLLECTION FOR BETTY LOU'S PANTRY

For every item you donate you will receive a ticket to be placed in a special raffle for a Longaberger product. The requested items are:

Toothpaste
Toothbrush

Shampoo
Soap

Antiperspirant
Hand or Body Lotion

If you would prefer to bring a food item, the most needed items are:

Hamburger/Chicken/Tuna Helpers
Canned Ravioli

Chicken Noodle Soup
Chili & Chunky Soups



*The Church Office will be closed on
Monday, November 13, 2017
in observance of
Veteran's Day*

MISSION UPDATES:

Amigos De Guatemala Monte Margarita, Guatemala

We very much appreciated Rev Sharon Harfman's informative presentation back in September on **Amigos De Guatemala**. We were inspired by the villagers who were building the clinic themselves with their own labor! **We wish to thank you** for supporting the Conference's ambitious project to build and maintain a much needed health clinic in Monte Margarita, Guatemala. With your donations of \$170 along with \$830 raised at Basket Bingo over the past 2 spring events, we were able to send the Penn Northeast Conference \$1,000 to assist with the construction of the clinic. This will be an ongoing mission that we plan to support through raffles at bingo and your generous donations. Other opportunities will be made available to provide assistance as needed. Thank you in advance for your generosity!

Please **PRAY** for the success of this mission.

Hurricane Relief

Thank you for your donations of much needed supplies for hurricane relief. We delivered **69 Hygiene Kits** and **3 Clean-up Buckets** to Jordan UCC in Allentown for further distribution. We also made a **\$100 cash** donation directly to Church World Services. If you wish to make any further donations please do so at their website at **cwskits.org**.



Sarah Berghold and Colin Recke are excited to announce the arrival of **Kylie Rae Recke** born August 21, 2017 at L.V. Hospital.



Kylie was baptized here at Faith on Sunday, October 22nd! *God's blessings to the new family!*

FUN^dRaising Opportunities

Pierogi Sale

November 5—26

Pick up is December 6th

Poinsettia Orders

will be taken

November 19—December 10

5 Below Fundraiser

December 3—9

*Flyers will be included in December Focus
and available in the Narthex*

Dear Pastor Bruce and Faith Friends,

Thank you for taking time out of your busy schedule to visit me at Luther Crest during my recovery.

Your visits meant a lot to me.

Thank you, too, for all the cards and well wishes. It is gestures like yours which helped give me strength during my recovery.



LaMar Beck

~~~~~

Dear Pastor Bruce, Consistory, and Members,

I would like to take this opportunity to thank you for allowing me to use our Church as a location to collect tax monies for our community again this year. Please accept this donation as a token of my appreciation.

Enjoy the upcoming holiday season and I hope the consistory will allow me to continue this relationship next year.

Sincerely,

Deb Herstine

Tax Collector, Upper Saucon Township

# THOSE WHO WILL SERVE IN NOVEMBER

Head Usher: Deb Orach  
Nursery: Catherine Stevenson

|                            | November 5                                         | November 12                                 | November 19                                             | November 26                                              |
|----------------------------|----------------------------------------------------|---------------------------------------------|---------------------------------------------------------|----------------------------------------------------------|
| <b>Greeter</b>             | Henry & Sue Roberts                                | Sherry Meluskey                             | Doris & Ray Horwath                                     | Diane Neidermeier                                        |
| <b>Ushers</b>              | Steve & Sandy Sosnowsky<br>George Rau<br>Tom Hovis | John & Donna Barone<br>Tony & Sandi DiSanto | Chuck & Karen Talboo<br>Michele Keeler<br>Cindy Talaber | Bob & Patti Shelly<br>Cathy Wimmer<br>Donna Schoenberger |
| <b>Lay Reader</b>          | Michele Keeler                                     | John Barone                                 | Cindy Talaber                                           | Cathy Wimmer                                             |
| <b>Acolytes</b>            | Noah Jellison<br>Conner Licairac                   | Alex & Will Kane                            | Damyn Allison<br>Weiland Hite                           | Avery Koser<br>Noah Ritter                               |
| <b>Flowers</b>             | Choir                                              | Neely                                       | Christman                                               | Beck                                                     |
| <b>Financial Secretary</b> | Scott Christman                                    | Scott Christman                             | Scott Christman                                         | Scott Christman                                          |



*The Church Office will be closed on  
Thursday, November 23, 2017  
in observance of  
Thanksgiving*



## FROM THE TREASURER— SEPTEMBER FINANCIALS

| SEPT 2017     | INCOME    | EXPENSE   | Last Year |           |
|---------------|-----------|-----------|-----------|-----------|
| Receipts      | \$18,604  | \$183,125 | \$19,391  | \$165,180 |
| Disbursements | \$19,764  | \$192,116 | \$18,402  | \$172,917 |
|               | (\$1,160) | (\$8,991) | \$989     | (\$7,737) |

|              | Weekly Attend. | Weekly Offering | over/under \$3500 goal |
|--------------|----------------|-----------------|------------------------|
| <b>9/3</b>   | 56             | \$ 2,375        | (\$1,125)              |
| <b>9/10</b>  | 92             | \$ 3,043        | (\$457)                |
| <b>9/17</b>  | 83             | \$ 2,687        | (\$813)                |
| <b>9/24</b>  | 89             | \$ 2,171        | (\$1,329)              |
| <b>Total</b> | 320            | \$ 10,277       | (\$3,723)              |

Special Offerings:  
Betty Lou's Pantry—\$50  
OCWM—\$70

Yard Sale Fundraiser—\$2057

Your 2018 Offering Envelopes will  
Be in the Narthex on Sunday, December 3rd.  
If you don't have envelopes but would like some, or have them but don't use them, please call Sandy at 610.282.3939.

ANSWER TO PUZZLE: "I will praise God's name in song and glorify him with thanksgiving." Psalm 69:30, NIV



**From the Secretary:**

The **deadline** for **December Newsletter** articles and information is **November 10th**. Please email to [faith-churchcv@gmail.com](mailto:faith-churchcv@gmail.com) or place them in the Secretary's mailbox in the conference room.



**ALTAR FLOWER sign ups will begin in mid November.**

The cost will remain \$34 for the new year.

---

**Many thanks for your generosity and your continuing support of Betty Lou's Pantry!**



**For the last two Sundays of September and the first two Sundays of October, our regular donations included 178 items and \$100.** Currently, over 100 families are being assisted. All of the recipients are very grateful for your generosity.

**MOST NEEDED ITEMS:**

**LIQUID LAUNDREY DETERGENT • CANNED PASTA • TUNA/MEAT HELPERS • BAKED BEANS • BOXED POTATOES  
BOXED PASTA (NO SPAGHETTI) •**

**Items stocked at the Pantry include:**

- |                             |                                |
|-----------------------------|--------------------------------|
| Pork & Beans                | Chili                          |
| Canned Fish (salmon) & Meat | Canned Pasta                   |
| Peanut Butter               | Canned Tomatoes & Canned Sauce |
| Kidney & Black Beans        | Chunky Soups                   |
| Canned fruit                | Macaroni & Cheese              |
| Canned Tuna                 | Canned Vegetables              |
| Beef Stew                   | Dry Pasta & Spaghetti          |
| Spaghetti Sauce             | Canned Tuna                    |

Monetary Donations are a particularly effective way to help the Pantry. A donation of \$10 will buy over 60 lbs of food through Second Harvest. If you are in need or know of someone in the area who is, please call **610-282-2838** and leave a message, or email [bettylouspantry18036@gmail.com](mailto:bettylouspantry18036@gmail.com)

—Mike Ford



## **BOY SCOUT FOOD DRIVE**

Please check your front steps on **Saturday, November 4** for a shopping bag that can be used to make your food donations to BLP. The flyer attached to the bag will include donation suggestions. Then set your filled grocery bag on your front steps by **8 am Saturday, November 11**. BLP appreciates your donations as this is one of 2 major food drives throughout the year.

**Our OCC Packing Party** will begin immediately after worship on **Sunday, November 12th**. Lunch will be provided to those who help.



## **BETTY LOU'S PANTRY CHILDREN'S GIFTS**

Please consider being an angel to the children of Betty Lou's Pantry this Christmas Season. This year there are over 100 children who will be in need of receiving gifts. Along with other churches in the Southern Lehigh Area, Faith Church will be receiving several names of children and their Christmas Wish lists. For the youth we are asking that you purchase a clothing item and a toy. For teens we ask for a \$15 gift card to Target, Old Navy, or Walmart, a small candy treat, and personal care items such as shampoo.

The names, clothing sizes, and toy requests will be available on **Sunday, November 19**. All wrapped and labeled gifts must be returned to our church no later than **Sunday, December 10**.

Help is also needed on **Friday, December 15 at 7 pm** to set up the gifts at St James. We will be working in the lower room at the church. Gifts will be distributed the following day beginning about 8:30 am. Please let **Cindy Talaber (610.282.4627)** know if you would like to help with that.

# FORGET-ME-NOT CHRISTMAS GIFTS

Let us not forget our church members this Christmas holiday who are currently unable to join us during worship on Sundays. Gift bags will be prepared for each one and delivered during the Christmas season.

On **Sunday, November 19** you will find a Christmas tree in the Narthex covered with decorations that ask for specific gifts to be included in a gift bag for each “**Forget-Me-Not.**” They are simple gifts like 5 hand lotions, 5 lip balms, or 5 boxes of tissues. Please consider taking an ornament and help to brighten the day for one of our long time members. All items must be in church by **Sunday, Dec 3.** Please join us in the Memorial Room as we pack these gift bags on **Saturday, Dec 9 at 9 am.** Contact Cathy Wimmer with questions at 610.797.8249.

Let’s brighten their holidays and show them that their church has not forgotten them.







## ***NOVEMBER BIBLE READINGS***

### **November 1**

Isa. 26:1–4, 8–9,  
12–13, 19–21  
Rev. 21:9–11, 22–27  
(22:1–5) *or* Heb.  
11:32–12:2  
Matt. 5:1–12

### **November 2**

Neh. 1:1–11 *or* Lam.  
2:16–22  
Rev. 5:11–6:11  
Matt. 13:18–23

### **November 3**

Neh. 2:1–20 *or* Lam.  
4:1–22  
Rev. 6:12–7:4  
Matt. 13:24–30

### **November 4**

Neh. 4:1–23 *or* Lam.  
5:1–22  
Rev. 7:(4–8) 9–17  
Matt. 13:31–35

### **November 5**

Neh. 5:1–9 *or*  
Ezra 1:1–11  
Acts 20:7–12  
Luke 12:22–31

### **November 6**

Neh. 6:1–19 *or* Ezra  
3:1–13  
Rev. 10:1–11  
Matt. 13:36–43

### **November 7**

Neh. 12:27–31a,  
42b–47  
*or* Ezra 4:7, 11–24  
Rev. 11:1–19  
Matt. 13:44–52

### **November 8**

Neh. 13:4–22  
*or* Hag. 1:1–2:9  
Rev. 12:1–12  
Matt. 13:53–58

### **November 9**

Ezra 7:(1–10) 11–26  
*or* Zech. 1:7–17  
Rev. 14:1–13  
Matt. 14:1–12

### **November 10**

Ezra 7:27–28;  
8:21–36  
*or* Ezra 5:1–17  
Rev. 15:1–8  
Matt. 14:13–21

### **November 11**

Ezra 9:1–15 *or* Ezra  
6:1–22  
Rev. 17:1–14  
Matt. 14:22–36

### **November 12**

Ezra 10:1–17 *or* Neh.  
1:1–11  
Acts 24:10–21  
Luke 14:12–24

### **November 13**

Neh. 9:1–15 (16–25)  
*or* Neh. 2:1–20  
Rev. 18:1–8  
Matt. 15:1–20

### **November 14**

Neh. 9:26–38 *or*  
Neh. 4:1–23  
Rev. 18:9–20  
Matt. 15:21–28

### **November 15**

Neh. 7:73b–8:3, 5–18  
*or* Neh. 5:1–19  
Rev. 18:21–24  
Matt. 15:29–39

### **November 16**

Neh. 6:1–19  
Rev. 19:1–10  
Matt. 16:1–12

**November 17**  
Neh. 12:27–31a,  
42b–47  
Rev. 19:11–16  
Matt. 16:13–20

**November 18**  
Neh. 13:4–22  
Rev. 20:1–6  
Matt. 16:21–28

**November 19**  
Ezra 7:(1–10) 11–26  
Acts 28:14b–23  
Luke 16:1–13

**November 20**  
Ezra 7:27–28; 8:21–  
36  
Rev. 20:7–15  
Matt. 17:1–13

**November 21**  
Ezra 9:1–15  
Rev. 21:1–8  
Matt. 17:14–21

**November 22**  
Ezra 10:1–17  
Rev. 21:9–21  
Matt. 17:22–27

**November 23**  
Neh. 9:1–15 (16–25)  
Rev. 21:22–22:5  
Matt. 18:1–9

**November 24**  
Neh. 9:26–38  
Rev. 22:6–13  
Matt. 18:10–20

**November 25**  
Neh. 7:73b–8:3, 5–18  
Rev. 22:14–21  
Matt. 18:21–35

**November 26**  
Isa. 19:19–25  
Rom. 15:5–13  
Luke 19:11–27

**November 27**  
Joel 3:1–2, 9–17  
1 Peter 1:1–12  
Matt. 19:1–12

**November 28**  
Nahum 1:1–13  
1 Peter 1:13–25  
Matt. 19:13–22

**November 29**  
Obad. 15–21  
1 Peter 2:1–10  
Matt. 19:23–30

**November 30**  
Zeph. 3:1–13  
1 Peter 2:11–25  
Matt. 20:1–16



Add fall décor to your family's Thanksgiving table by making these festive place mats.



**What you need:**

- Large pieces of paper
- Several large leaves
- Crayons (fall colors)
- Fine-tip permanent marker

**What you do:**

1. Working on a flat surface, place the leaves underneath the paper.
2. Peel the wrappers off the crayons. Rub crayons sideways over the paper so the details of the leaves become visible.
3. Use other crayons to add additional details, if desired. With the marker, list what you're thankful for and add a Bible verse about thankfulness.
4. Optional: Laminate the place mats so they're reusable.

# November Birthdays

01 Zackery Campbell

02 Russ Shelly

03 Jessica Schaffer

04 Catherine Stevenson

05 Glenn Gunkle

05 Emma Hardy

06 Joseph Orach

08 Henry Roberts

08 Bruce Keeler

11 Tootie Koch

11 Steve Sosnowsky

13 Joel Thompson

14 Jonah Ritter

15 Kevin Long

16 Zachary Long

18 Arlene Beck

18 Nicole Gasda

19 Marvin Neely

19 Meryl Bixel

22 Nolan Ryan

23 Jeremy Haas

25 Rebecca Hite

26 Eric Koch

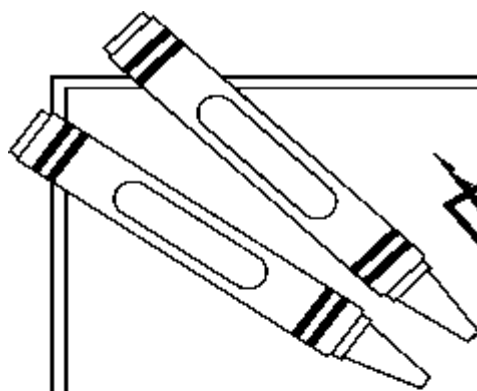
26 Noah Ritter

27 Ryenn Amato



Please call the church office with any omissions or corrections.

---



# PUZZLE

## GIVE THANKS TO GOD

God gives us many blessings every day. How can we thank him?

*Directions: To complete the Bible verse below, follow the code and fill in the blanks.*



A=1, B=2, C=3, D=4, E=5, F=6, G=7, H=8, I=9, J=10,  
 K=11, L=12, M=13, N=14, O=15, P=16, Q=17, R=18,  
 S=19, T=20, U=21, V=22, W=23, X=24, Y=25, Z=26.

" \_\_\_\_\_ will \_\_\_\_\_ 16 \_\_\_\_\_ 18 \_\_\_\_\_ 1 \_\_\_\_\_ 9 \_\_\_\_\_ 19 \_\_\_\_\_ 5

\_\_\_\_\_ ' \_\_\_\_\_ name in \_\_\_\_\_ 19 \_\_\_\_\_ 15 \_\_\_\_\_ 14 \_\_\_\_\_ 7

and \_\_\_\_\_ 7 \_\_\_\_\_ 12 \_\_\_\_\_ 15 \_\_\_\_\_ 18 \_\_\_\_\_ 9 \_\_\_\_\_ 6 \_\_\_\_\_ 25 \_\_\_\_\_ 8 \_\_\_\_\_ 9 \_\_\_\_\_ 13 with

20 \_\_\_\_\_ 8 \_\_\_\_\_ 1 \_\_\_\_\_ 14 \_\_\_\_\_ 11 \_\_\_\_\_ 19 \_\_\_\_\_ / \_\_\_\_\_ 9 \_\_\_\_\_ 22 \_\_\_\_\_ 9 \_\_\_\_\_ 14 \_\_\_\_\_ / \_\_\_\_\_ ."